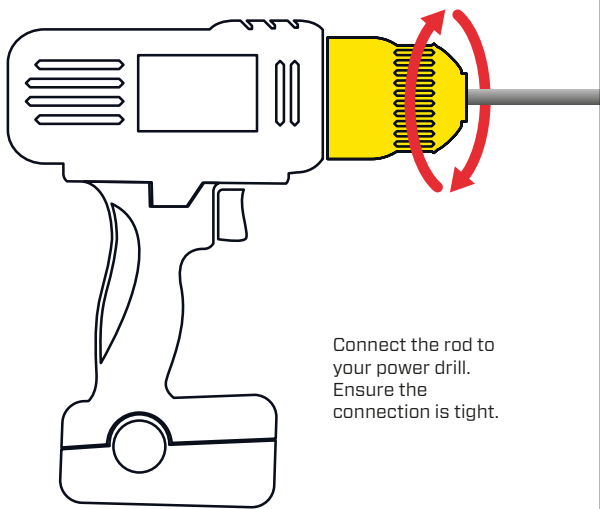


Pel™

DATAMARS

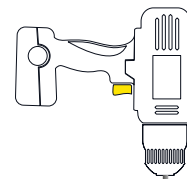
EZE EARTH DRILL INSTRUCTIONS

TIGHTEN CONNECTION



Connect the rod to your power drill. Ensure the connection is tight.

DRILL IN GROUND



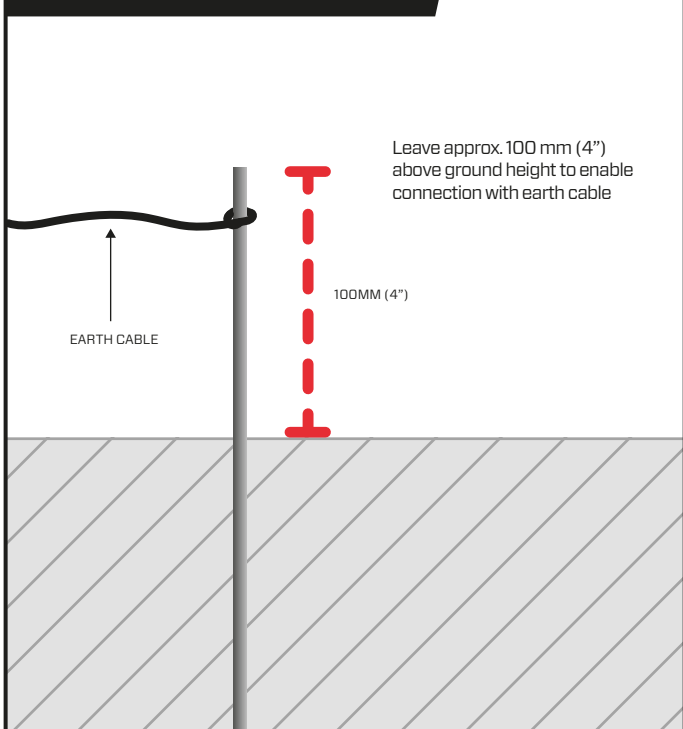
Activate the drill and guide the rod into the ground.



Auger end of rod



EXPOSED HEIGHT

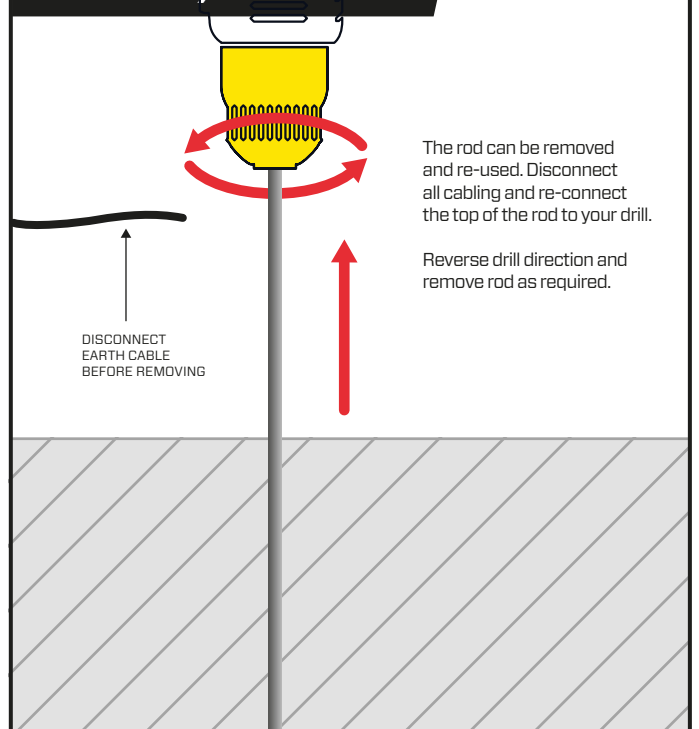


Leave approx. 100 mm (4") above ground height to enable connection with earth cable

100MM (4")

EARTH CABLE

RE-USE/POSITION



The rod can be removed and re-used. Disconnect all cabling and re-connect the top of the rod to your drill.

Reverse drill direction and remove rod as required.

DISCONNECT EARTH CABLE BEFORE REMOVING